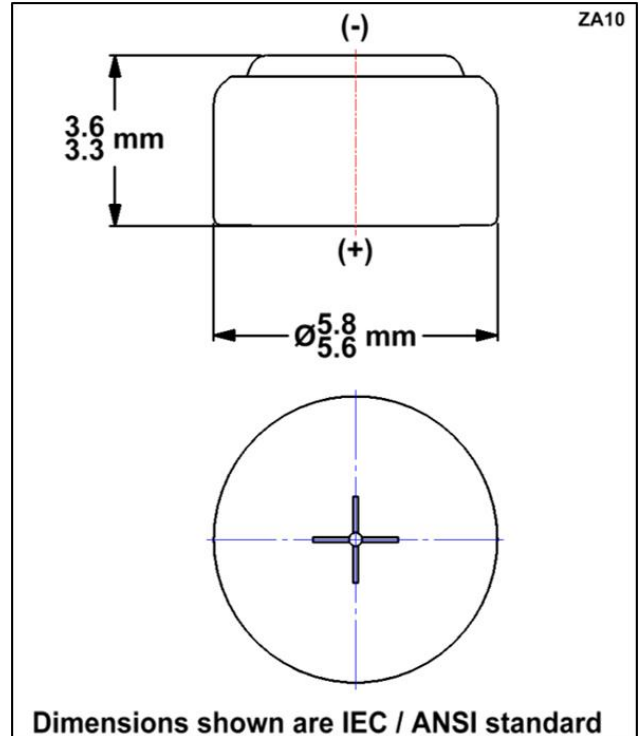
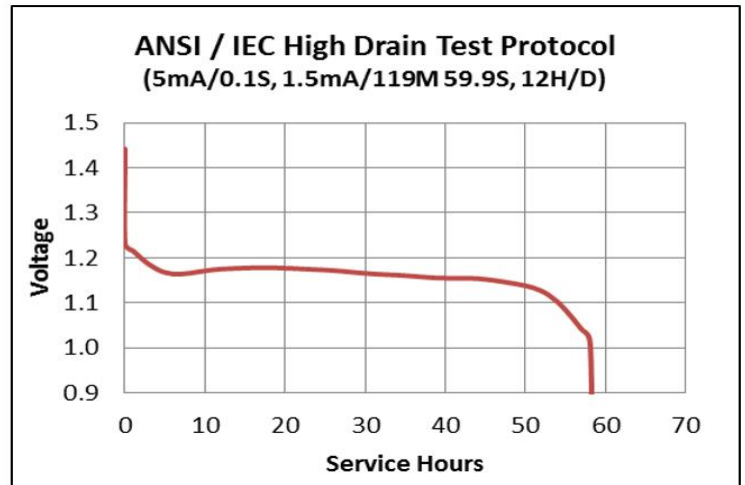
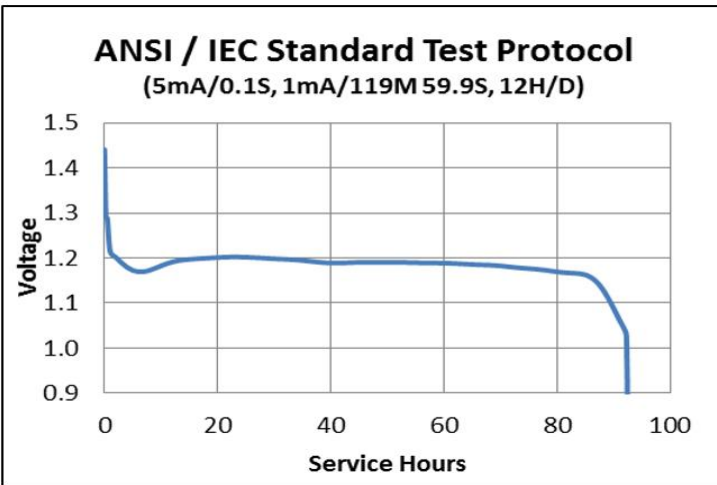




|                                 |  |
|---------------------------------|--|
| Nominal Voltage                 | 1.45 V   |
| Rated Capacity                  | 100 mAh at 3000 ohm to 1.1 V @ 21°C and 50% RH |
| Typical Impedance (Fresh)       | 9.0 ohm @ 1kHz                                 |
| Typical Weight                  | 0.3 g (0.01 oz)                                |
| Volume                          | 0.08 cm <sup>3</sup> (0.005 in <sup>3</sup> )  |
| Terminals                       | Flat   |
| Operating Temperature Range     | 0°C to 50°C (32°F to 122°F)                    |
| Recommended Storage Temperature | 5°C to 30°C with 40-80% RH                     |
| Shelf Life                      | 4 years unactivated @ 21°C                     |
| Designation                     | ANSI: 7005Z IEC: PR70                          |



### Typical Discharge Characteristics at 21°C (70°F) and 50% RH



Berkshire Corporate Park  
Bethel, CT. 06801 U.S.A.  
Telephone: Toll-free 1-800-544-5454  
www.duracell.com

Delivered capacity is dependent on the applied load, operating temperature and cut-off voltage. Please refer to the charts and discharge data shown for examples of the energy/service life that the battery will provide for various load conditions.